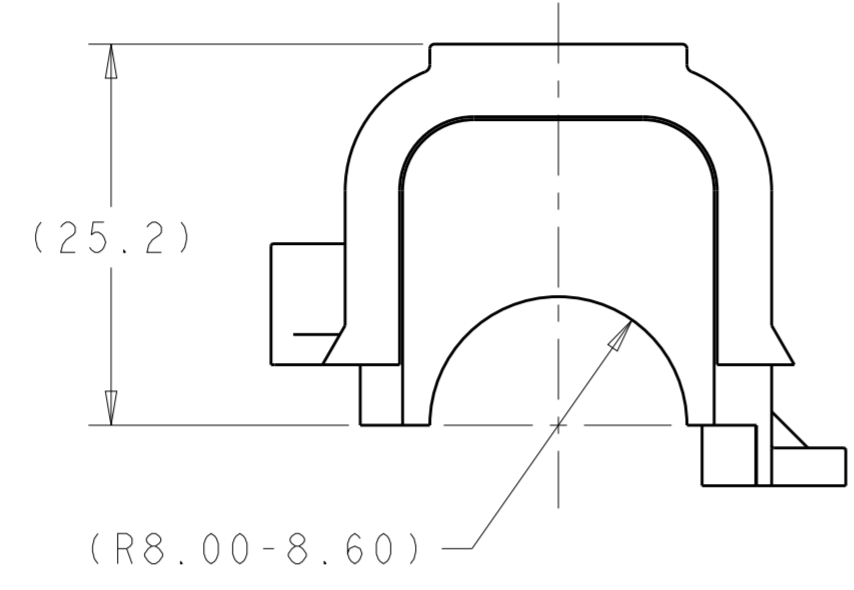
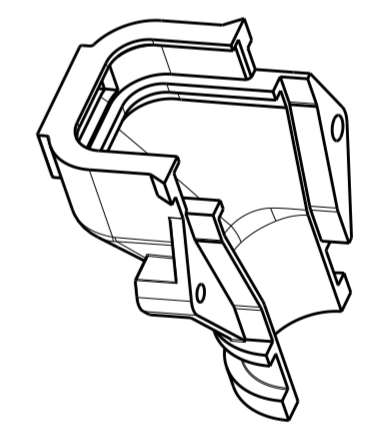
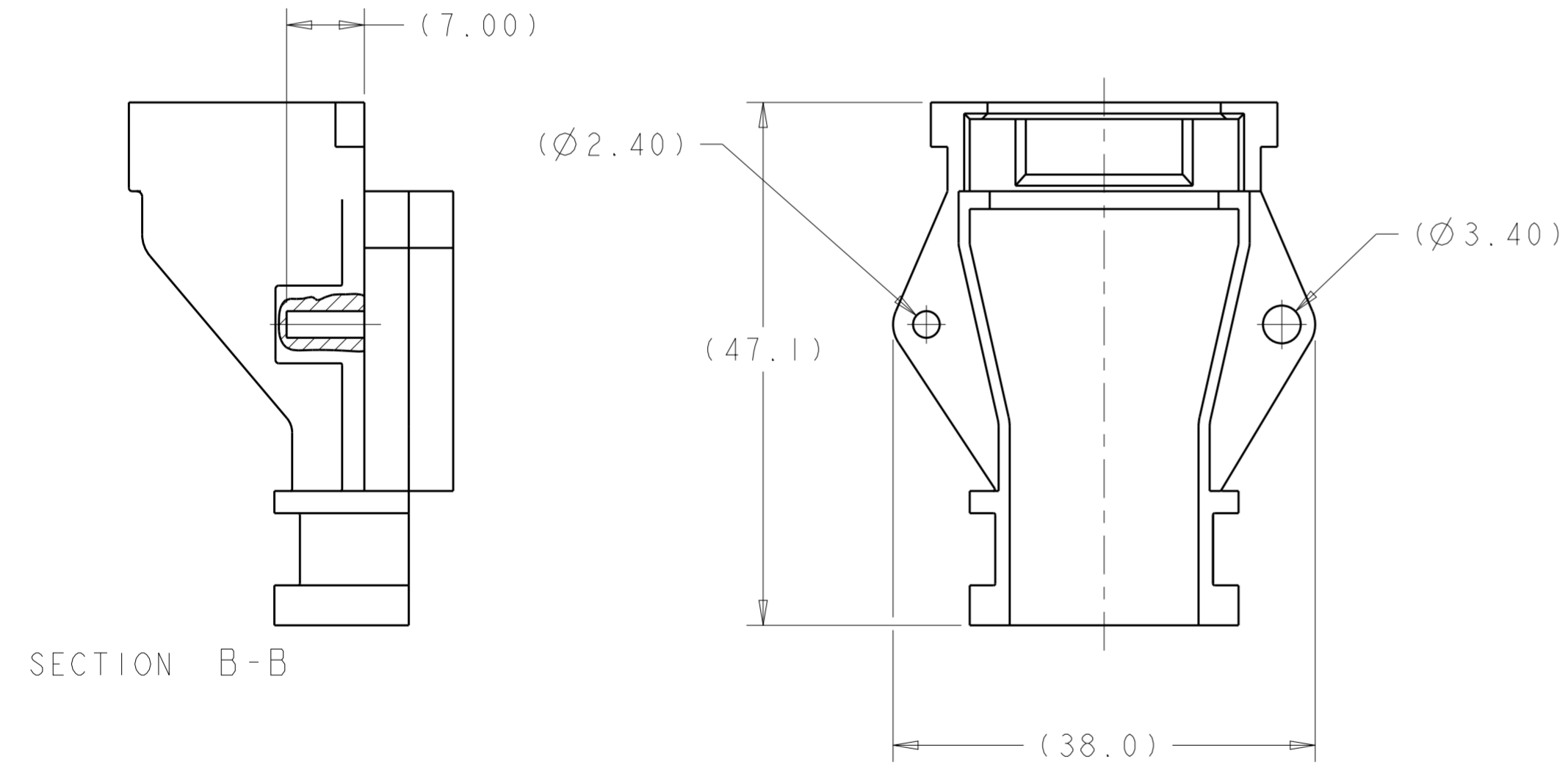


THIS DRAWING IS UNPUBLISHED. RELEASED FOR PUBLICATION 20
 © COPYRIGHT 20 BY - ALL RIGHTS RESERVED.

REVISIONS					
P	LTR	DESCRIPTION	DATE	DWN	APVD
B2		REVISED PER ECO-13-009966	18JUN2013	DD	DS
B3		REVISED PER ECO-15-007694	21MAY2015	DD	DS



- 1 MATERIAL: PBT, 15% GLASS FILLED, COLOR: BLACK
- 2. ACCEPTS #4 SELF TAPPING SCREW (ELCO HI-LO THREAD CUTTING STYLE OR EQUIVALENT) TO BE DRIVEN AT 0.6±0.2 N-M FOR INITIAL ASSEMBLY.
- 3 MATERIAL: PBT, 17% GLASS FILLED, UL RATED V-0/5VA, COLOR: GRAY



SCALE 1:1

3	776464-2
1	776464-1
MATERIAL	PART NUMBER

THIS DRAWING IS A CONTROLLED DOCUMENT.		DWN R. VESTAL 02APR2003	TE Connectivity	
DIMENSIONS: mm		CHK M. TRULL 02APR2003		
TOLERANCES UNLESS OTHERWISE SPECIFIED:		APVD M. TRULL 02APR2003	NAME WIRE RELIEF, 23 POSITION	
0 PLC ±-	1 PLC ±-	PRODUCT SPEC	SIZE	CAGE CODE
2 PLC ±0.10	3 PLC ±-	APPLICATION SPEC	A200779	C-776464
4 PLC ±-	ANGLES ±2°	WEIGHT	SCALE	SHEET
FINISH		CUSTOMER DRAWING	2:1	OF 1
SEE NOTES				REV B3